

Drawing



**Hendi B.V.**  
 Steenoven 21  
 3911 TX Rhenen  
 The Netherlands

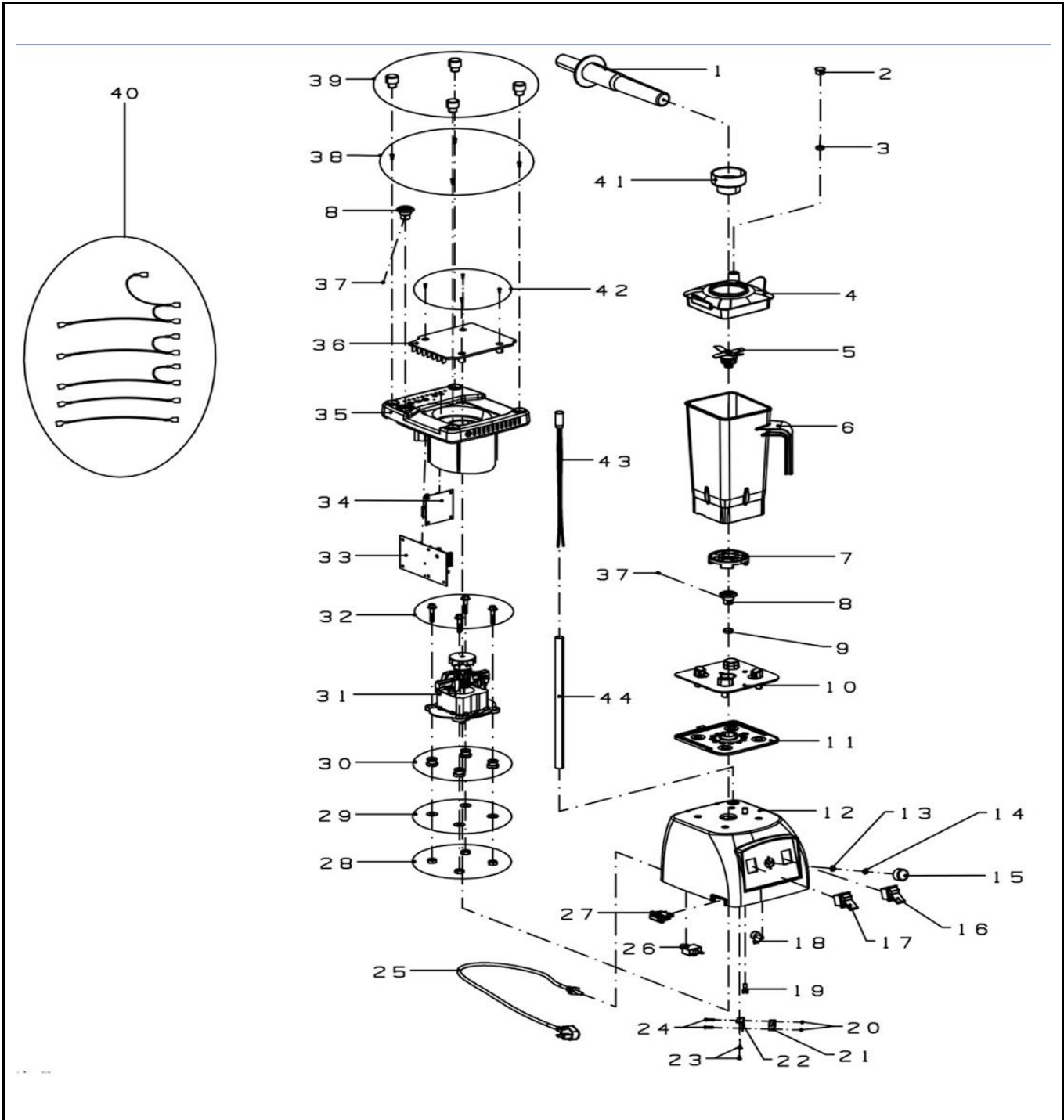
**Batch #**  
 090490-000001  
 and up

**Appliance part#**  
 230701


**Description**

Blender

<b>Date</b>	07-11-2013	<b>Revision #</b>	Revision version
<b>Revision</b>	First bill of materials (BOM)		



### Bill of materials (BOM)

 <b>HENDI</b> <small>FOOD SERVICE EQUIPMENT</small>  <b>Hendi B.V.</b> Steenoven 21 3911 TX Rhenen The Netherlands	<b>Batch #</b>	<b>Appliance part#</b>
	990490-000001 and up	<b>230701</b>
	<b>Description</b>	
	<b>Blender</b>	


<b>Date</b>	07-11-2013	<b>Revision #</b>	Revision version
<b>Revision</b>	First bill of materials (BOM)		

Item	Description	Part#	Quantity	Remark	Picture
1	Stick	928516	1		
2	Cover	nss	1	Available in 917015 and 917022	
3	Magnet	nss	1		
4	Lid	917015	1	Incl item 2,3,41.	
5	Cutting unit	917039	1		
6	Jug	917022	1	(Only Jug)	
6a	Jug complete with lid	917046	1	Incl item 2,3,4,5,6,7.	
7	Nut	917114	1		
7a	Sealing jug	917107	1	(not shown on exploded view)	
8	Clutch	917152	1		
9	Rubber washer	n/a	1		
10	Upper plate	n/a	1		
11	Sealing upper plate	n/a	1		
12	Housing	n/a	1		
13	Ring	n/a	1		
14	Nut	n/a	1		
15	Knob (potentiometer)	917169	1		
16	Pulse switch	917091	1		
17	On/off switch	917060	1		
18	Potentiometer	917176	1		
19	Plug	n/a	1		
20	Nut	n/a	2		
21	Bracket	n/a	1		
22	Bracket	n/a	1		
23	Screw	n/a	2		
24	Screw	n/a	2		
25	Power cord	931714	1		
26	Overload protection	931721	1		
27	On/off switch (red)	917145	1		
28	Ring	n/a	4		
29	Nut	n/a	4		
30	Vibration damper	nss	4	Available as 917084	
31	Motor	917084	1	Incl item 30	
32	Bolt	n/a	4		
33	Main pcb	917077	1		
34	Pcb rpm control	917121	1		
35	Lower housing	917183	1		
36	Bottom cover	n/a	1		
37	Spare clutch	917152	1		
38	Screw	n/a	4		
39	Feet	917008	4		
40	Wiring set	n/a	1		
41	Cap	nss	1		
42	Screw	n/a	4		
43	Reed contact	917053	1		
44	Holder	n/a	1		

n/a -> not available

nss -> not sold separately

### Circuit diagram

 <span style="font-size: 2em; font-weight: bold; color: red; margin-left: 10px;">HENDI</span> <small>FOOD SERVICE EQUIPMENT</small>  <b>Hendi B.V.</b> Steenoven 21 3911 TX Rhenen The Netherlands	<b>Batch #</b>	<b>Appliance part#</b>
	090490-000001 and up	230701
	<b>Description</b>	
	Blender	

<b>Date</b>	07-11-2013	<b>Revision #</b>	Revision version
<b>Revision</b>	First bill of materials (BOM)		

